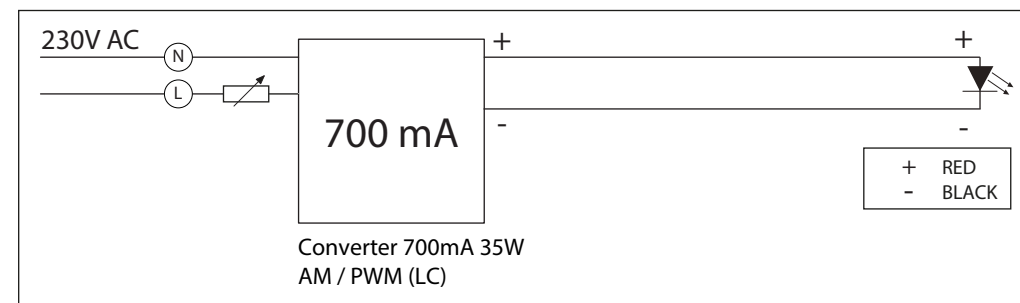
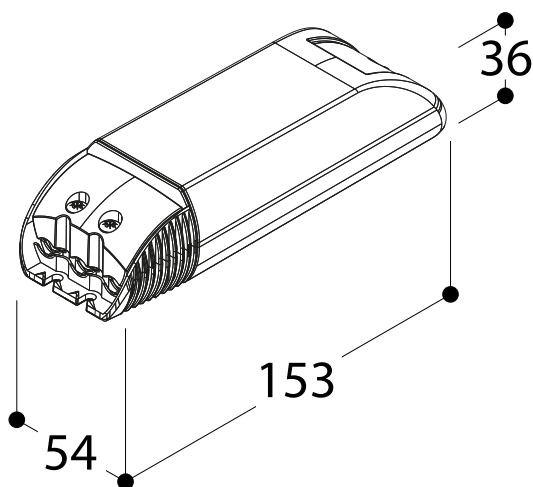


930590 Converter 700mA 35W 27-50Vf PC (LC) AM/PWM SELV IP20



Dimensions and wiring

Dimensions L x W x H	153 x 54 x 36 mm
Product weight	0,165 kg
Cable cross-section, input side	0,75 ... 2,5 mm ² ¹⁾
Cable cross-section, output side	0,5 ... 2,5 mm ² ¹⁾
Wire preparation length, input side	5 mm
Wire preparation length, output side	5 mm

¹⁾ Flexible / Solid leads

Colors & materials

Casing material	Plastic
-----------------	---------

Temperatures & operating conditions

Ambient temperature range (T _{amb})	-20 ... +45 °C
Maximum temperature at tc point	75 °Ct
Max.housing temp. (in case of fault)	110 °C
Permitted rel. humidity (during operation)	5 ... 85 %

Lifespan

ECG lifetime	50 000 h ¹⁾
--------------	------------------------

¹⁾ At T_a = 50 °C at T_c point / max. 0,2% failure rate per 1000h

Capabilities

Dimmable	YES
Dimming interface	Phase Cut ¹⁾
Dimming range	10 ... 100%
Dimming methode	Amplitude Modulation / Pulse Width Modulation
Overheating protection	Automatic reversible
Overload protection	Automatic reversible
Short-circuit protection	Automatic reversible
No-load proof	YES
Max. cable length to lamp/led module	2 m
Suitable for fixtures with prot. class	I / II
Type of connection, output side	Push terminal
Areas of application	Indoor

¹⁾ Trailing edge / Leading edge

Certificates & standards

Approval marks - approval	CE / ENEC 10 / VDE / CB / C-Tick
Standards	Acc. to IEC 61347-1/Acc. to IEC 61347-2-13/ Acc. to IEC 62384/Acc. to CISPR 15/ Acc. to IEC 61000-3-2/Acc. to IEC 61000-3-3/ Acc. to IEC 61547
Protection class	II
Type of protection	IP 20

Electrical data

Nominal input voltage	220 - 240 V
Mains frequency	50 / 60 Hz
Input voltage AC	195 - 264 V
Inrush current	< 10 A
Power factor λ	0,95 / 0,90
ECG efficiency	87 %
Device power loss	5,25 W
Max. ECG no. on circuit breaker 10 A	30
Max. ECG no. on circuit breaker 16 A	50
Surge capability (L/N-Ground)	2 kV
Surge capability (L-N)	1 kV
Nominal output voltage	27 ... 50 V
U-OUT (working voltage)	58 V
Nominal output current	700 mA
Output current tolerance	± 5 %
Output ripple current (100 Hz)	< 35 %
Nominal output power	35 W
Galvanic isolation	SELV



ALWAYS DISCONNECT MAINS POWER SUPPLY FROM CONVERTER BEFORE SWITCHING "ON" LED LUMINAIRES TO PREVENT HOT PLUGGING ISSUES